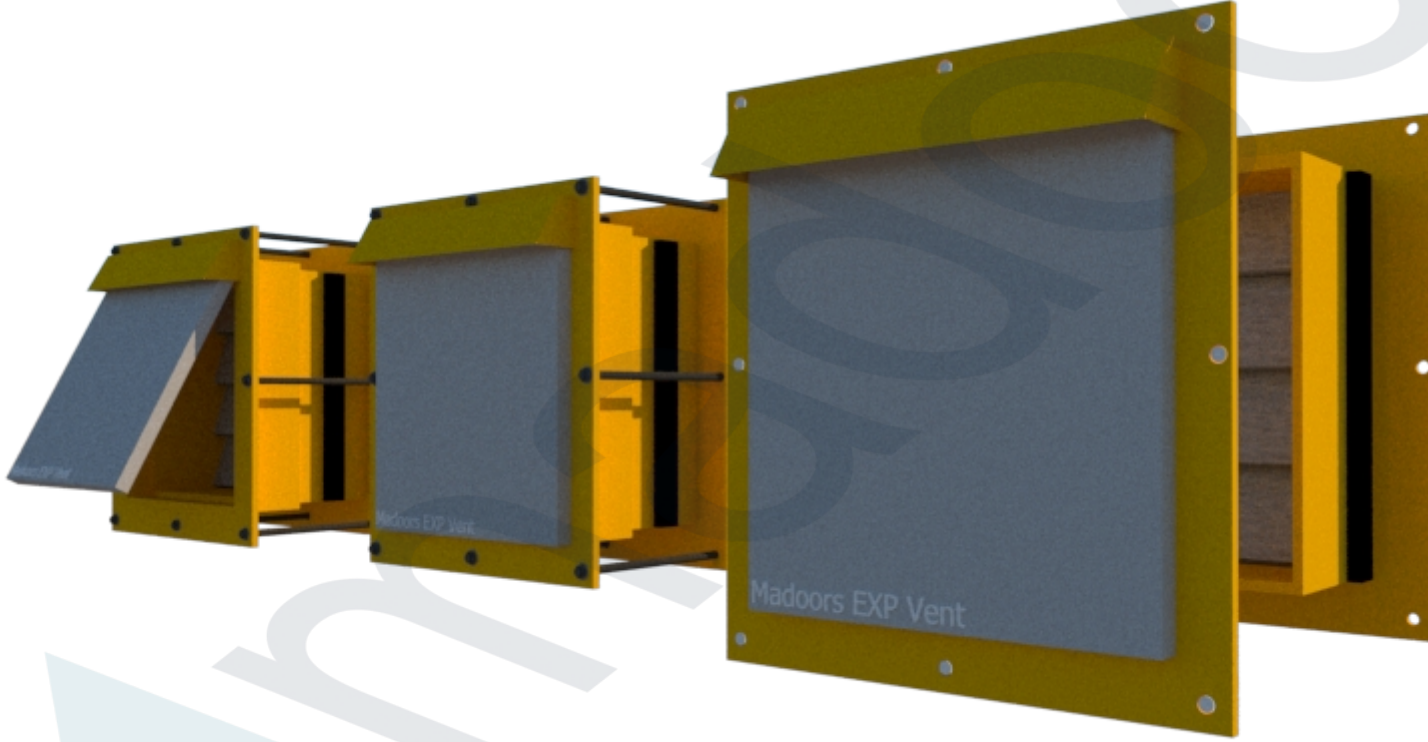


MADOORS SYSTEM EXPLOSION PROOF VENT



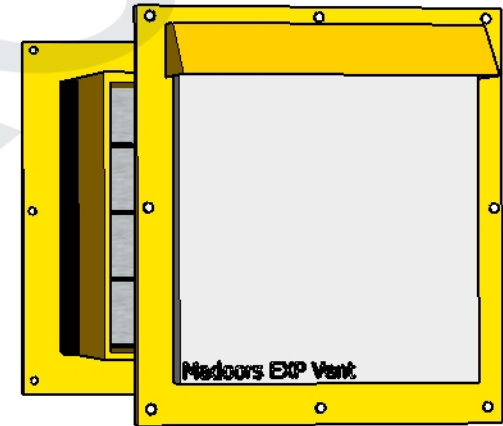
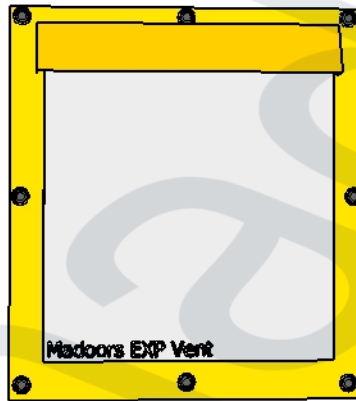
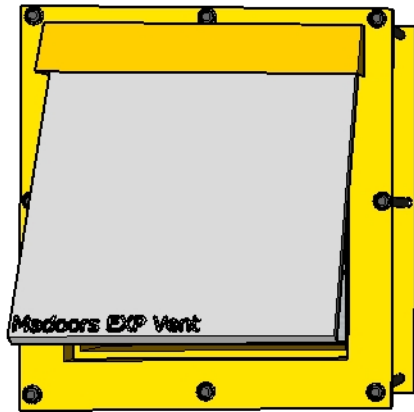
www.madoors.com.tr

MADOORS SİSTEM LTD.ŞTİ.

SARAY MAHALLESİ ATOM CADDESİ UZAY VE HAVACILIK HAP
ORGANİZE SANAYİ KÜME EVLERİ NO:155 TAI KARŞISI
KAHRAMANKAZAN /ANKARA

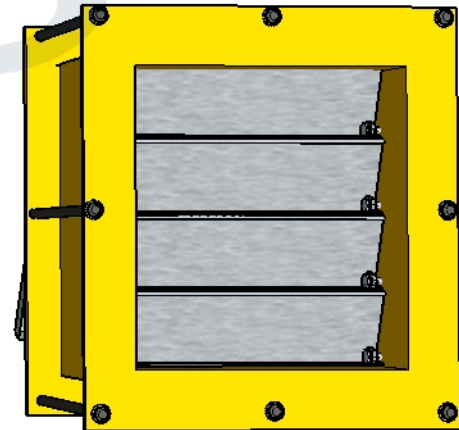
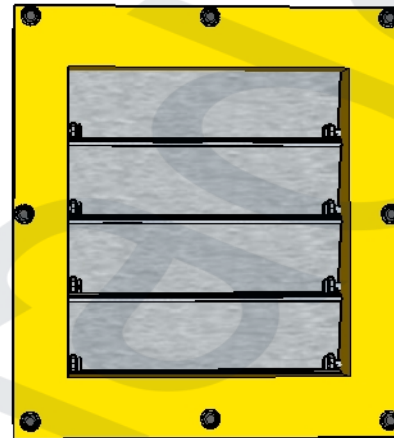
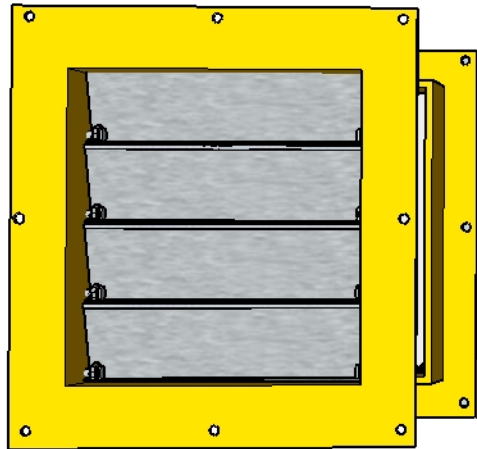
EXPLOSION PROOF VENT

FRONT VIEW



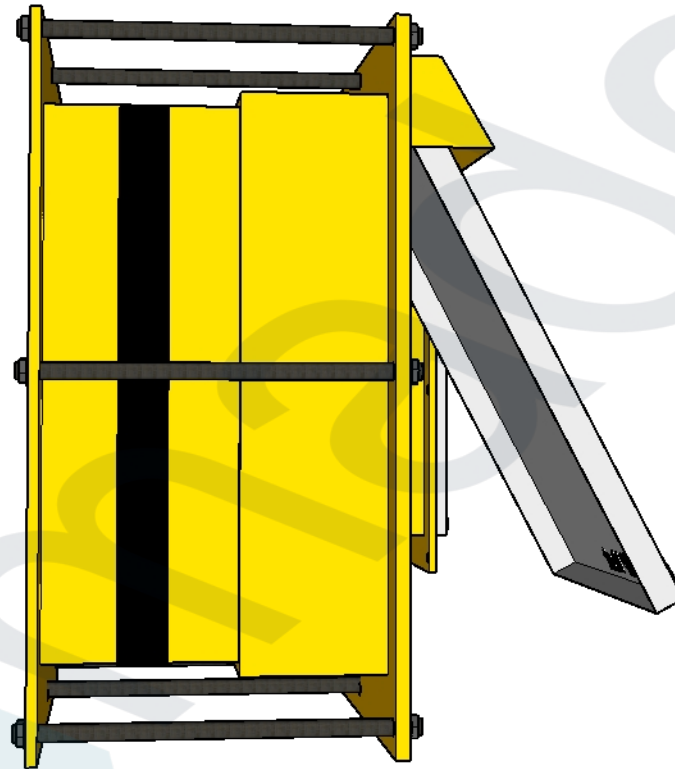
MADOORS

BACK VIEW

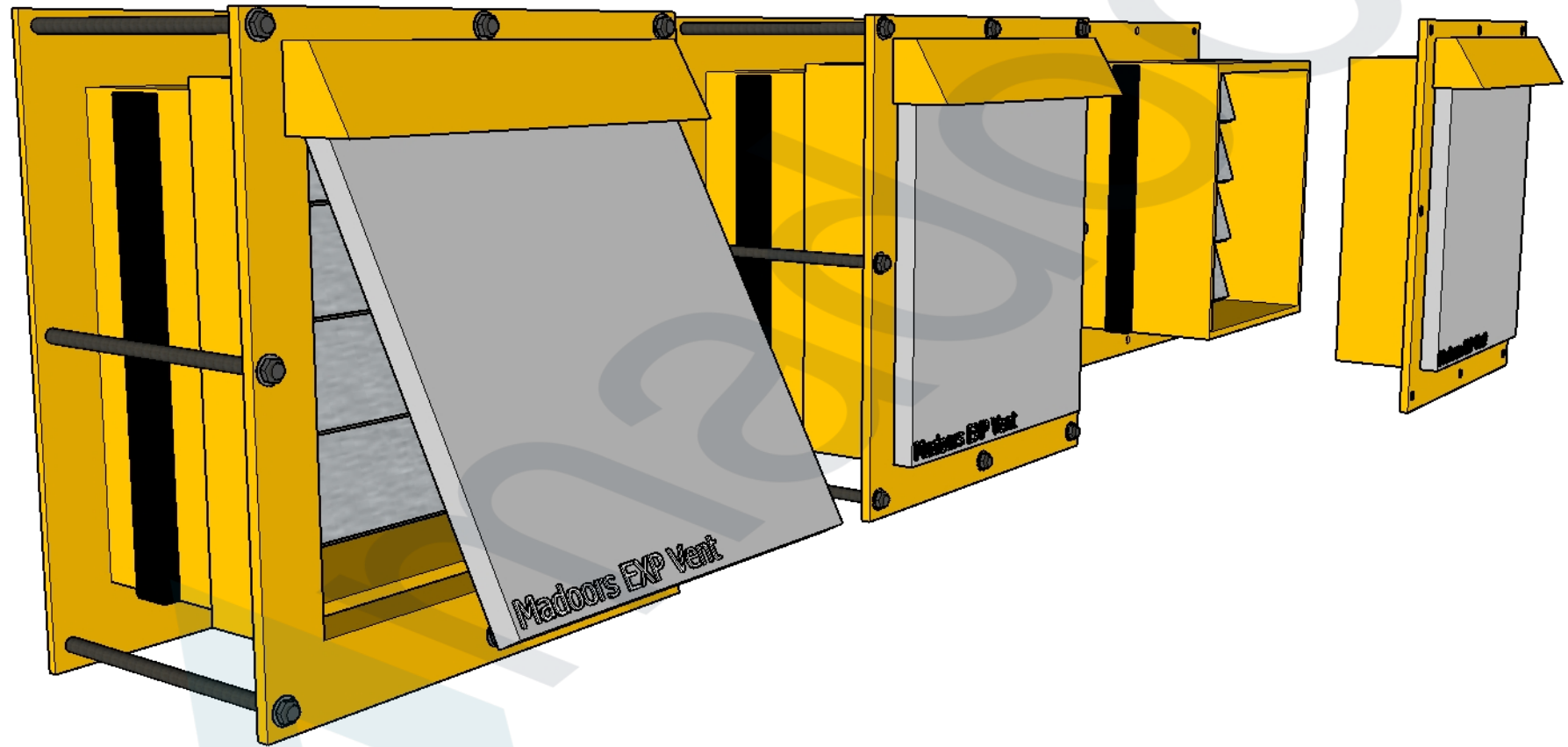


MADOORS

NEAR VIEW

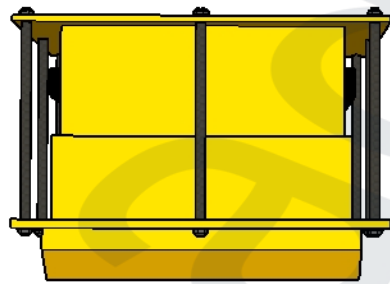
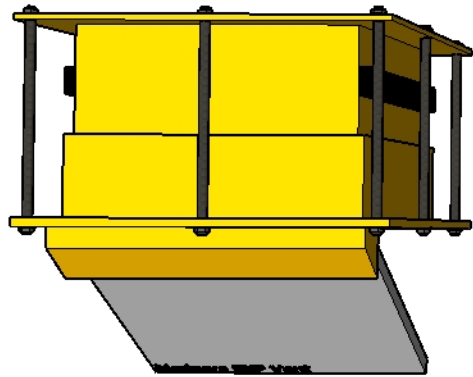


PERSPECTIVE VIEW



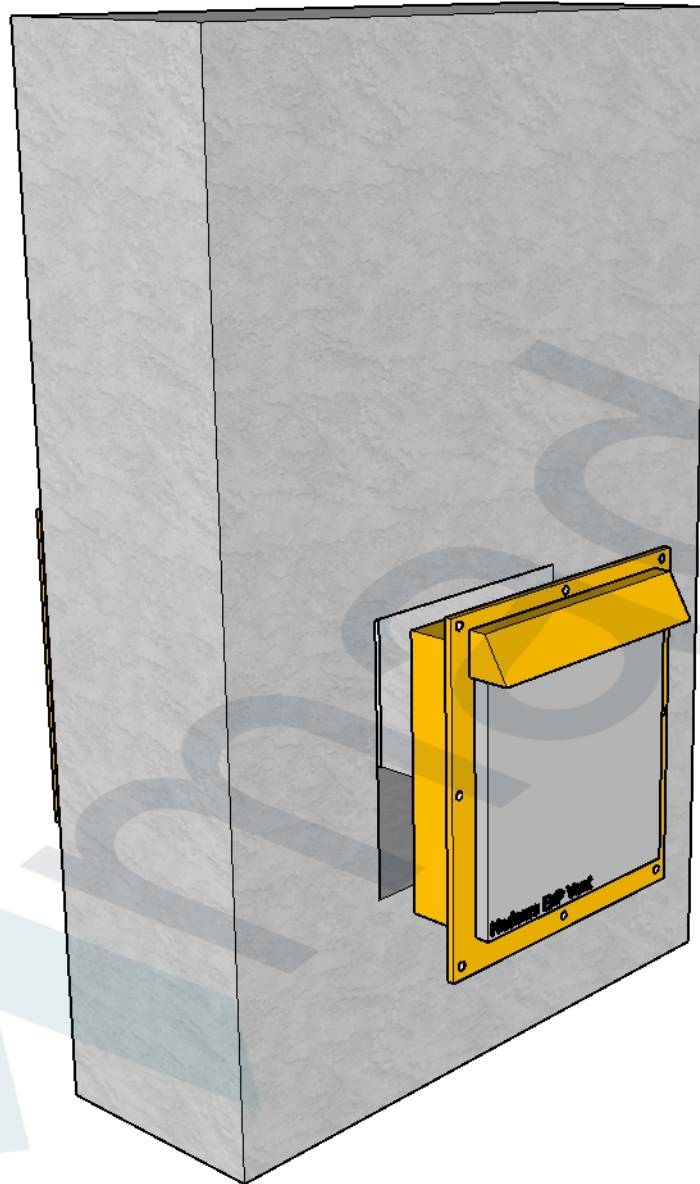
MADOORS

UP VIEW

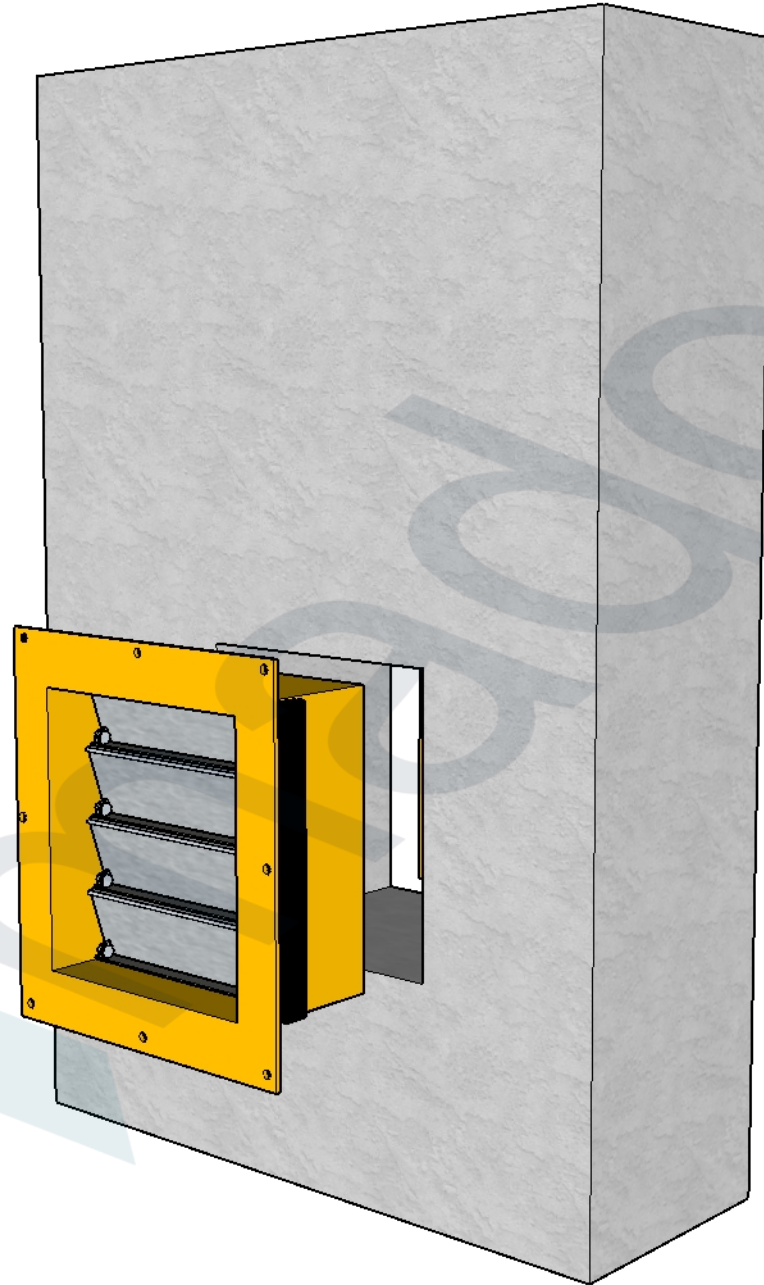


MADOORS

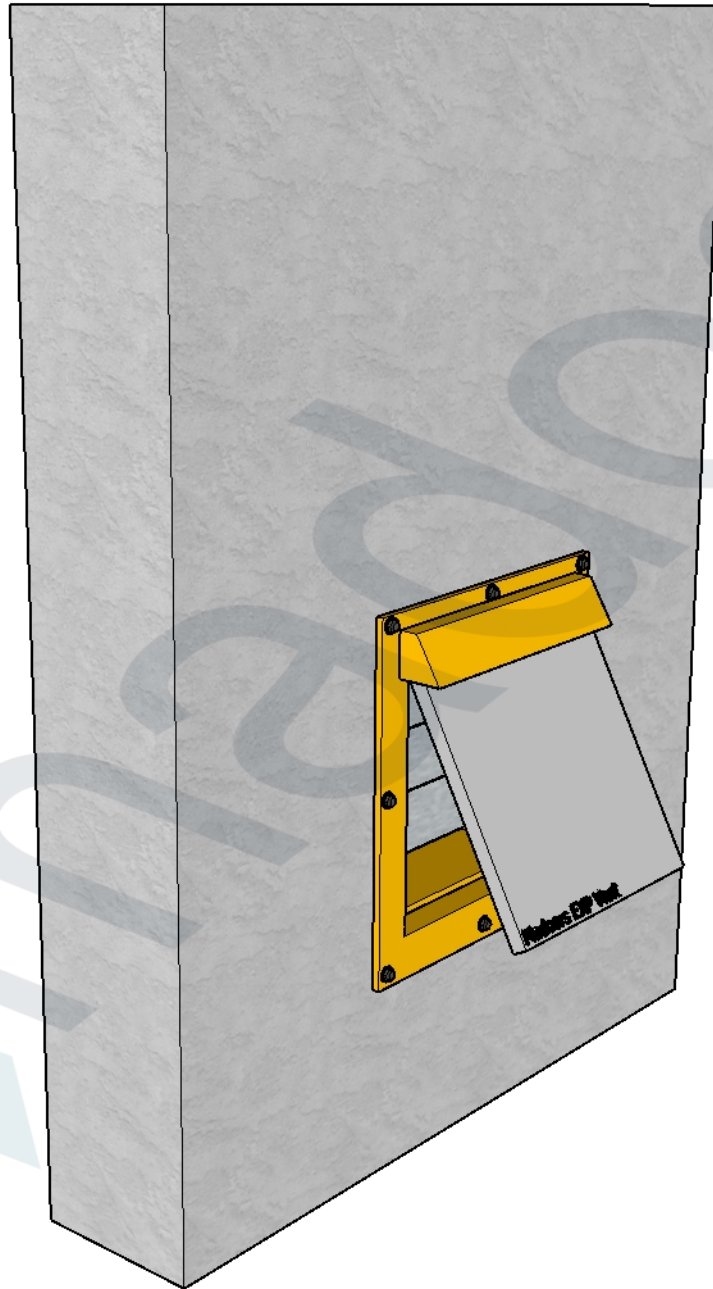
INSTALLATION VIEW



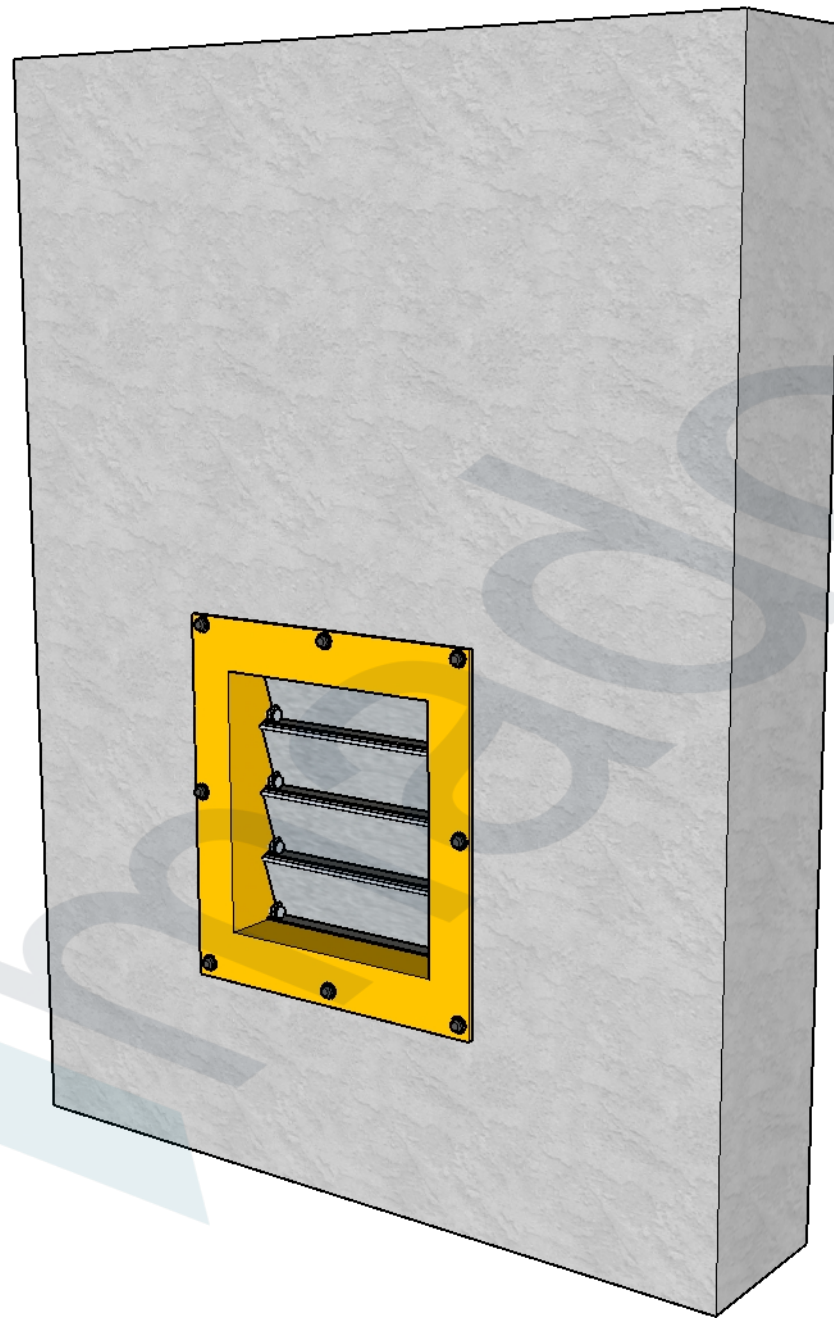
INSTALLATION VIEW



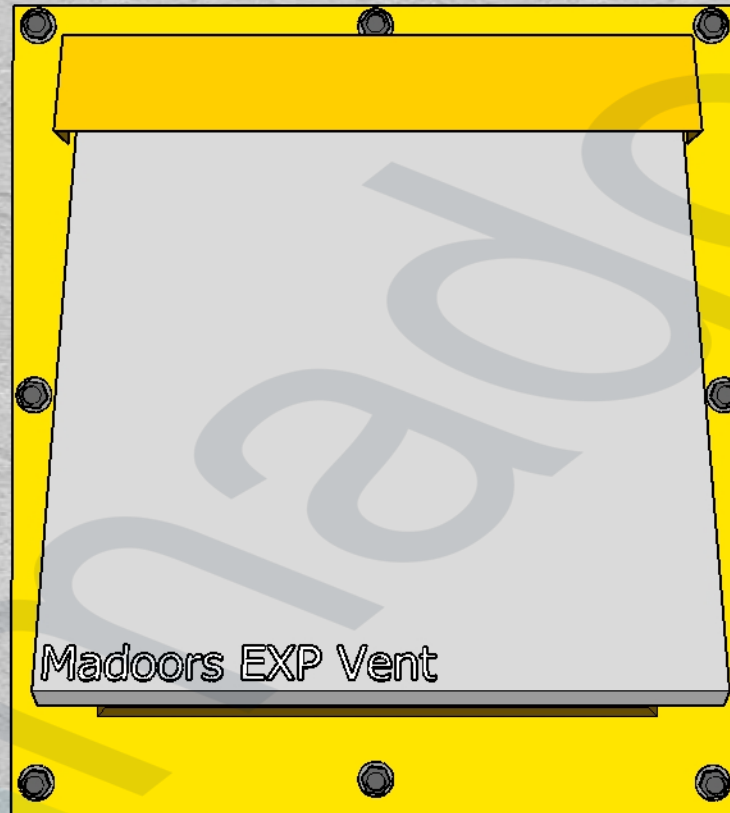
INSTALLATION VIEW



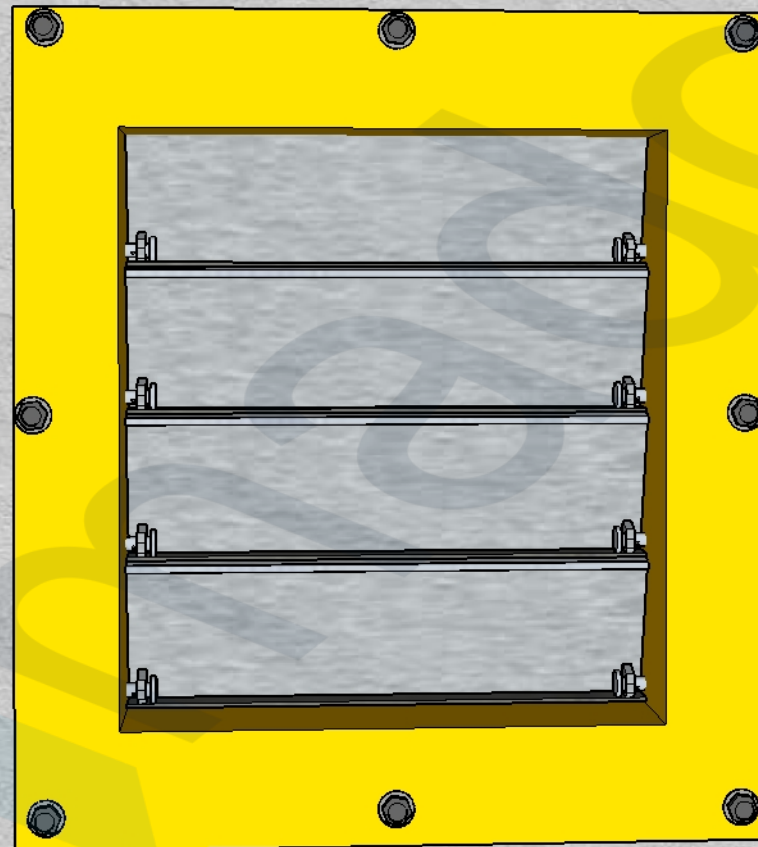
INSTALLATION VIEW



INSTALLATION VIEW



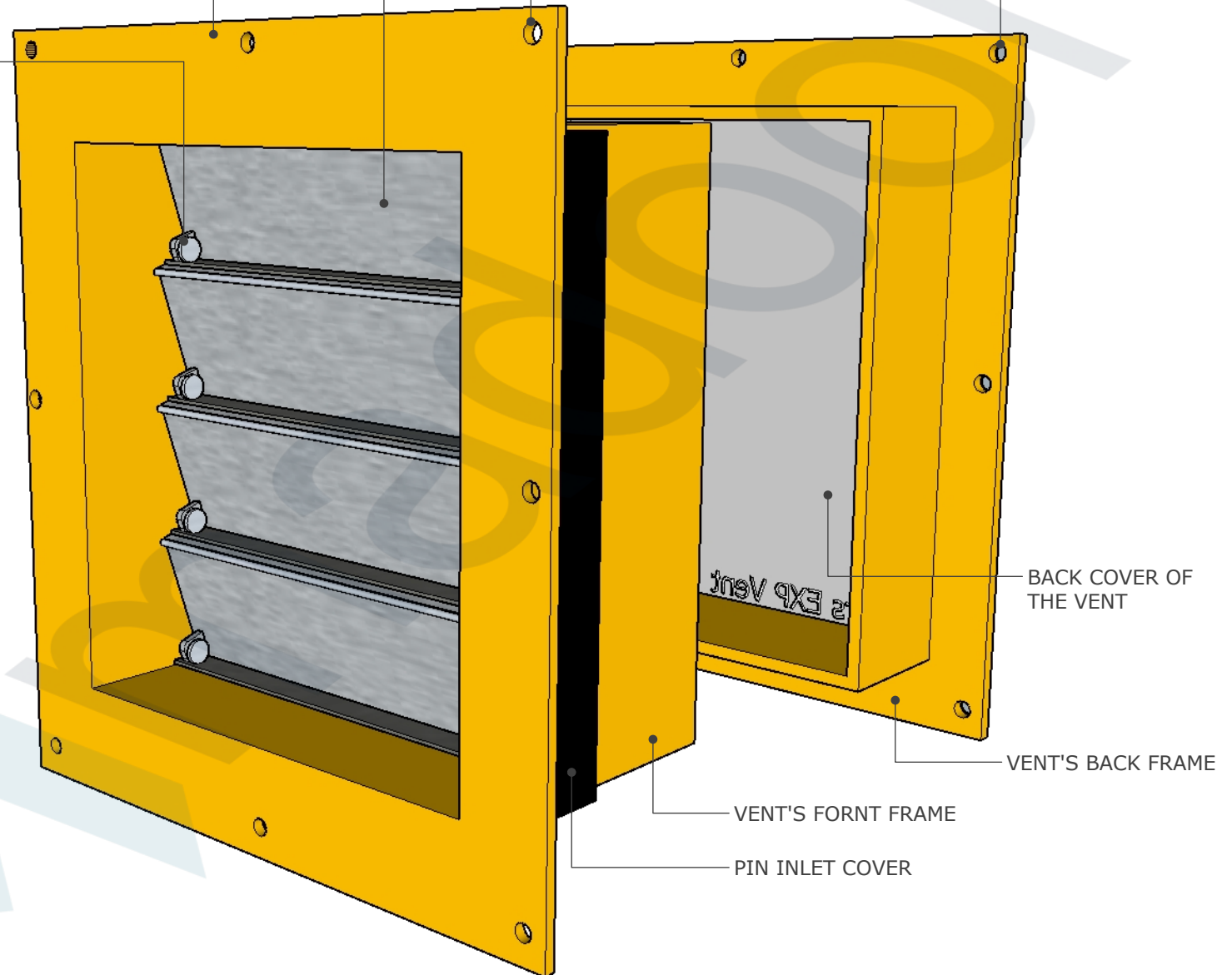
INSTALLATION VIEW



PARTS

- CONNECTION HOLES
- BALLISTIC STEEL MIILUX 500
- BALLISTIC STEEL MIILUX500
- 200 MBAR PRESSURE CUTTING PINS

CONNECTION HOLES

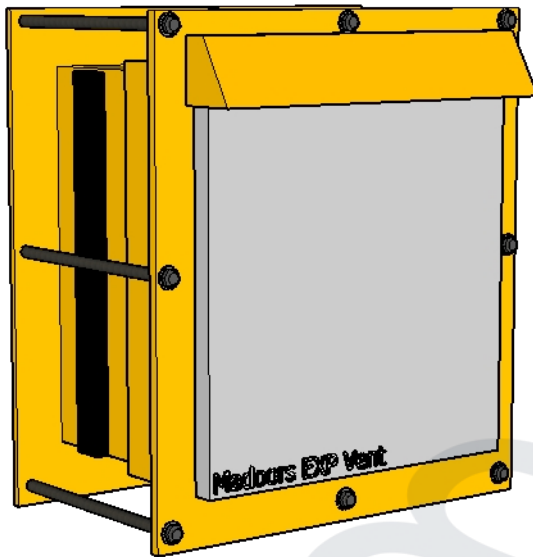


BACK COVER OF THE VENT

VENT'S BACK FRAME

VENT'S FORNT FRAME

PIN INLET COVER



MAdoorS Explosion Vents

Explosion vents provide a passive and economical explosion relief. Each explosion vent is precisely designed to burst at a given pressure to maintain the structural integrity of the protected equipment. Explosion vents are manufactured in various sizes and models.

The main ones are;

Composite Explosion Vents
Sanitary Explosion Vents
High Performance and Special Application Vents
Vent Accessories

.The cutting pins of our products can be changed and the pressure can be adjusted between 50-500 mbar.

.Our bearings are double bearing radial bearing.

.The paint is painted with electrostatic paint. Our paint is anti-bacterial.

.Working temperature -40 to +130°C.

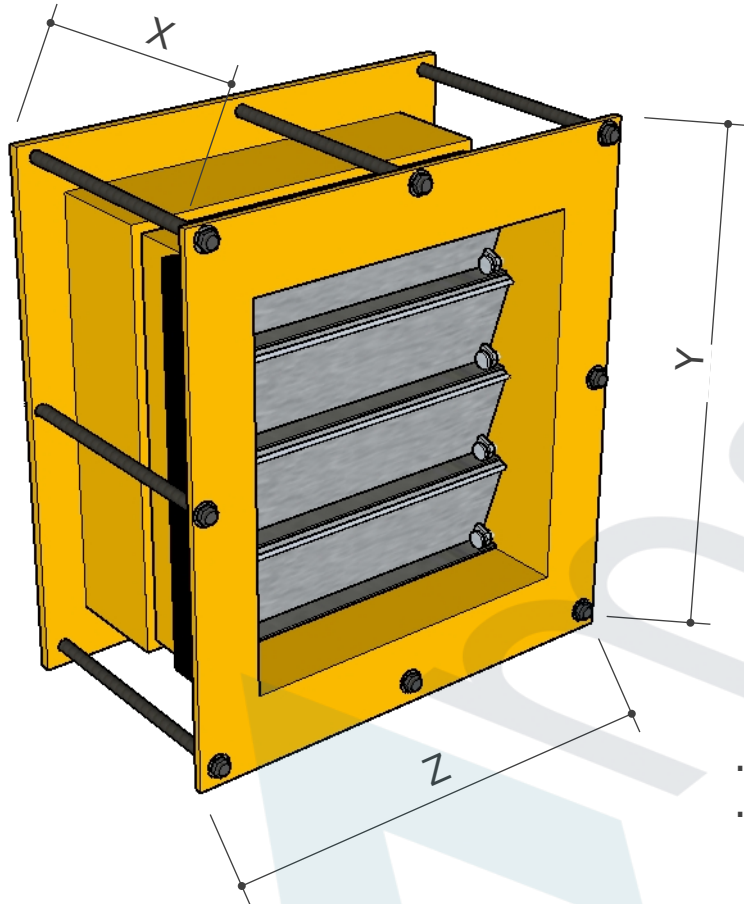
.Made of ballistic steel.

.It is fire resistant.

.The vent can be reused by changing the pins after the explosion.

.We have special manufacturing options in the desired size.

DIMENSIONS



	EXP-A	EXP-B	EXP-C	EXP-D	EXP-E
X (mm.)	100-1200	100-1200	100-1200	100-1200	100-1200
Y (mm.)	500	700	900	1000	1200
Z (mm.)	500	700	900	1000	1200

- . It can be manufactured in desired special dimensions.
- . It can be manufactured in desired special pressure strength.